



辅坤阀门

FLOW CONTROL VALVE

闸门及其它

PENSTOCK AND OTHERS



铁岭辅坤阀门有限公司

TIELING FLOW CONTROL VALVE CO., LTD

中国·辽宁

公司简介

Company Profile



铁岭辅坤阀门有限公司是原辽宁省铁岭阀门厂改制后的骨干企业之一。是中国最大的低压大口径阀门、闸门专业生产基地，生产阀门类产品已有70年历史，曾被国家命名为高新技术先进企业。

公司注册资金2000万元，公司现有员工180人，其中：高级技术职称2人；中级技术职称15人；管理人员8人，有近40%的员工具有大专以上学历。公司占地面积18558m²，建筑面积7800m²。拥有4米、2.5米、1.25米立车，T111镗床、TPX6111B/2卧式镗铣床、TPX6213落地镗铣床、吊车、叉车、Z3080×25、Z30100×31大型摇臂钻、剪板机、切割机、牛头刨、万能工具磨、卷板机等。机加设备80余台套，并拥有32/5T、20T、10T、5T吊车等。可生产灰铸铁、球墨铸铁、低合金铸铁阀门、钢闸门、清污机、各类风门、滤网及管道附件、阀门传动装置等产品。年生产能力（产值）5000万元。

公司主导产品有：蝶阀、闸阀、止回阀、排气阀、旋转滤网、网篦式清污机、拦污栅、钢闸门、冷、热风隔绝门、挡板门、可调缩孔、插板门等；适用介质有：清水、污水、海水、空气、高温炉气、煤气、蒸气及各种酸碱盐液体；适用温度：-40℃—600℃；适用压力为：0.01MPa—2.5Mpa；公称通径为DN50—3000mm；驱动方式：手动、电动、气动、液动、电液联动。根据用户要求，产品可按照中国GB、JB、国际标准ISO、德国DIN、英国BS、美国API、ANSI等标准设计制造。公司产品广泛应用于水电站、火电站、自来水厂（城市供水、引水）、污水处理厂、煤气、航空、有色冶金、石油化工、矿山、水利等行业。

公司产品被国内外众多重点工程项目采用，主要有：北京燕山石化、元宝山电厂、唐山三友热电有限责任公司、阜新发电有限公司、安徽平圩电厂、国电濮阳热电有限公司、吉林松原炼油厂、锦西石化公司、锦州发电厂、广东猎德污水厂等。公司具有进出口经营权，并有部分产品出口到加拿大，伊朗及中东地区。产品出口到美国、巴基斯坦、伊朗、伊拉克、新加坡、泰国、马来西亚、柬埔寨、叙利亚等国家和地区，优良的产品质量和完善的售后服务赢得外商和项目单位的信赖和好评。

公司热诚欢迎国内外广大用户到公司参观、考察和洽谈业务，我们将提供最佳的产品和最优质的服务。

本公司质量方针：以顾客为中心，永追卓越；坚持质量第一，信誉至上。

设计 开发 生产 安装 服务

好阀门
辅坤造

低压大口径阀门生产基地





Tieling Flow Control Valve Co., Ltd. Is one of the key enterprises after the former Tieling Valve Works was reformed. It is the largest low pressure big diameter valve, penstock manufacturing base. It has a history of more than 70 years, it is named as advanced new and high-tech enterprise.

The registered capital is 20 million. We have 180 staff which include 2 senior professional title technicians; 15 middle professional title technicians; 40% of the staff graduated from the college. Our company occupies an area of 18558 m² and a building area of 7800 m². We have 4M, 2.5M, 1.25M vertical lathes, T111 boring machine, TP x 6111B/2 horizontal boring and milling machine, TP x 6213 stand boring and milling machine, crane, fork truck, Z3080 x 25, Z30100 x 31 large radial drilling machine, plate shearing machine, cutting machine, planing machine, universal tool grinding machine, plate bending rolls. There are more than 80 machining equipments and cranes of 32/5 T, 20T and 5T. We can produce gray cast iron, ductile iron, low alloy iron valves, steel penstock, cleaning machine, different kind of wind gates, strainers, and pipe fittings and valve actuators. The annual capacity (production value) is RMB 50 million.

The main products: butterfly valve, gate valve, check valves, air release valve, rotating strainer, comb type cleaning machine, grating, steel penstock, cool and hot isolating gate, guarding gate, regulating shrinkage hole, inserting gate; the suitable medium: clean water, sewage water, sea water, air, high temperature stove air, gas, steam and different acid and alkali liquid; suitable temperature: -40°C to 600°C; suitable pressure: 0.01MPa~2.5MPa; Nominal diameter: DN50-DN3000, actuating methods: manual, motor, pneumatic, hydraulic, motor & hydraulic. According to the customer's requirements we can design and manufacture the products conforming to GB, JB, ISO, DIN, BS, API, ANSI. The products are widely used in water power plant, thermal power plant, water plant (city water supplying and distributing), sewage treatment plant, gas, airline, metallic, petroleum and chemical, mine, water power.

Our products have been applied in many projects such as: Beijingyanshang Petroleum & Chemical, Yuanbaoshan Power Plant, Tangshansanyou Thermal Power plant Co., Ltd., Fuxin Power Plant, Anhuipingwei Power Plant, Guodian Puyang Thermal Power Plant Co., Ltd., Jilin Songyuan Oil Refining Plant, Jinxi Petroleum & Chemical Co., Ltd., Jinzhou Power Plant, Guangdong Liede Water Plant. Our company has the right of importing & exporting, some of the products have been exported to USA, Canada, England, Turkey, Spain, Pakistan, Iran, Iraq, Singapore, Thailand, Malaysia, Cambodia, Syria, South Africa, Nigeria, Egypt, Tanzania and other countries.

We have gained the belief and good evaluation from the foreign and domestic customers for our Good product quality and perfect after sale service.

Sincerely welcome the domestic and foreign clients to our company for visiting and negotiation. We will provide you with best products and perfect service.

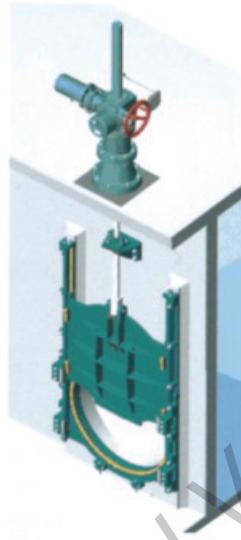
Our quality policy: Customer is the center, pursuit excellence; quality first, credibility supreme.



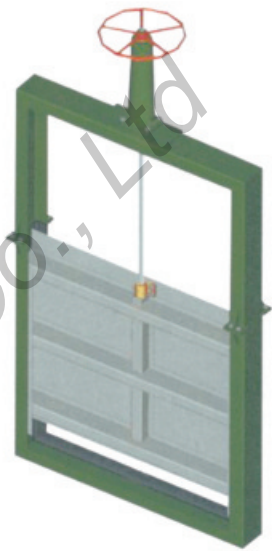
部分产品
Part of products



方(圆)闸门
Square (round) penstock

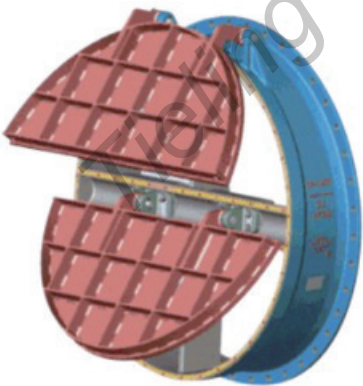


方(圆)闸门
Square (round) penstock



渠道闸
Channel penstock

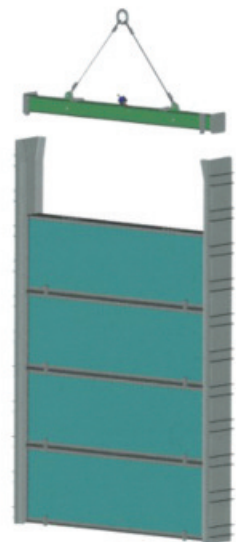
污水处理系统阀门——辽宁省优秀产品一等奖



拍门
Flap Valve



可调堰
Adjustable weir



插板阀
Plate inserting valve

目 录 CATALOGUE

方（圆）闸门	01
Square (Round) Penstock	
方闸门	04
Square Penstock	
圆闸门	07
Round Penstock	
渠道闸	09
Channel Penstock	
拍门	11
Flap Valve	
可调堰、插板阀	13
Adjustable Weir、Plate Inserting Valve	
可调堰	15
Adjustable Weir	
插板阀	16
Plate Inserting Valve	
销售网络	17
Sales Network	

方(圆)闸门

Square (Round) Penstock

型号示例: D24IX-60

TYPE EXAMPLE 1 2 3 4 5 6 7

1 类型代号 Type code	
D	蝶阀 Butterfly valve
D _K	真空蝶阀 vacuum butterfly valve
D _{NS}	防泥沙蝶阀 Anti-sediment butterfly valve
HD	止回蝶阀 Combined non-return butterfly valve
KD	快开(关)蝶阀 Quick-opening (closing) butterfly valve
TD	调节蝶阀 Regulating butterfly valve
H	止回阀 Check valve
H _B	胶球止回阀 Rubber ball check valve
H _S	双蝶板止回阀 Double disc check valve
H _X	斜座止回阀 Slope-seat check valve
LT	调节阀 Regulating valve
Z	闸阀 Gate valve
FZ	方闸门 Square penstock
YZ	圆闸门 Round penstock
TY	可调堰 Adjustable weir
C	插板阀 Plate inserting valve
SSJ (R _H)	伸缩接头 Expansion joint
□T	阀门成套 Valve complete set

2 传动方式代号 Driving method code	
2	螺旋传动 Screw drive
3	蜗轮传动 Worm gear actuator
4	正齿轮传动 Spur gear drive
5	锥齿轮传动 Bevel gear drive
7	液动 Hydraulic operated
9	电动 Electric operated

3 连接形式代号 Connection type code	
4	法兰连接 Flange connection
6	焊接连接 Welded connection
7	对夹连接 Wafer connecting

4 结构形式代号 Design feature code	
蝶阀 Butterfly valve	
0	双摇杆 Double rocker
1	垂直板 Perpendicular plate
3	双偏心 Double eccentric
4	三偏心 Triple eccentric
止回阀 Check valve	
1	直通式 Straight-through type
6	双瓣式 Double disc type
7	蝶板式 Butterfly plate
9	拍板式 Clapper type
调节阀 Regulating valve	
1	直通式 Straight-through type
闸阀 Gate valve	
1	明杆楔式单闸板 Rising wedge type single gate
2	明杆楔式双闸板 Rising wedge type double gate
3	明杆平行式单闸板 Rising wedge type parallel single gate
4	明杆平行式双闸板 Rising wedge type parallel double gate
5	暗杆楔式单闸板 Non-rising stem wedge type single gate
6	暗杆楔式双闸板 Non-rising stem wedge type double gate
8	暗杆平行式双闸板 Non-rising stem wedge type parallel double gate

5 密封面材料代号 Sealing face material code	
F	氟塑料 Fluoroplastic
H	合金钢 Alloy steel
R	不锈钢 Stainless steel
R _S	复合材料 Composite material
S _M	石棉 Asbestos
T	铜合金 Copper alloy
X	橡胶 Rubber
Y	硬质合金 Cemented carbide

6 公称压力 (MPa) 的10倍数值 10 times the nominal pressure (Mpa)	
0.1	=0.01MPa
0.5	=0.05MPa
1.0	=0.1MPa
2.5	=0.25MPa
6.0	=0.6MPa
10	=1.0MPa
16	=1.6MPa
25	=2.5MPa
40	=4.0MPa

7 阀体材料代号 Valve body material code	
C	碳钢 Carbon steel
M	锰钢 Manganese steel
Q	球墨铸铁 Ductile iron
R	不锈钢 Stainless steel

注: PN≤1.6MPa的灰铸铁及
PN≥2.5MPa的碳素钢省略本代号。
Note: gray cast iron with PN ≤ 1.6MPa
and carbon steel with PN ≥ 2.5MPa

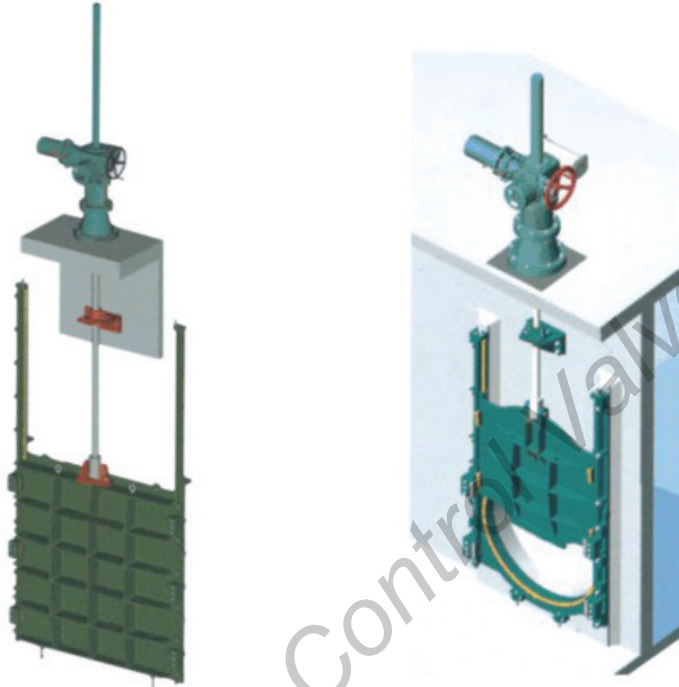


型号示例：AFZ9T-1

TYPE EXPLAIN BY EXAMPLES

AFZ $\frac{2}{9}$ T-1

AYZ $\frac{2}{9}$ T-1



AFZ9T-1

工作水头 (m水柱) 的1/10数值

密封面材料代号：T-铜合金

传动方式代号：9-电动

5-锥齿轮 2-手轮

类型代号：Z-闸门

类别代号：F-方形 Y-圆形

A-产品改型代号

AFZ9T-1

One tenth of working waterhead
(water column in meter)

Code of seal material: T-copper alloy

Code of seal transmission method:

9-motor 5-bevel gear

2-hand wheel control

Code of type: Z-penstock

Code of type: F-square Y-round

A-The product retrofitting code

方（圆）闸门

Square (Round) Penstock

用途

此类闸门适用于城市给排水、石化、冶金、电力、水利等行业水处理工程上，起切断水流作用。

特点

1、结构合理，受力均匀，刚度及密封性能好、其密封性能好、其密封渗漏量符合美国AWWAC560标准。

2、圆闸除安装在池壁外，还可与管道相连，其连接尺寸按GB/T 17241的规定。

性能规范

规格 (mm)	Φ300~Φ4000、DN300~3000		
承压方式	单向承压	双向承压	
工作水头 (m水柱)	正向	10	10
	反向	2	10
适用温度℃	≤80℃		
适用介质	水、海水、污水		
驱动方式	手动、电动		
渗漏量	1.25 L/min·m		

执行标准

产品标准：ANSI/AWWA C560、CJ/T 3006

法兰尺寸：GB/T 17241

注：我方可以根据客户的要求设计生产不同规格的方闸

主要零件材料

零件名称	材 料
门框、闸板、导轨、立柱、传动支座	铸 铁
斜锥、密封圈（条）	铸 铜
闸 杆	不 锈 钢

Application

These penstocks are suitable to be used in the water treatment engineering of various industries and enterprises such as supply and drainage works, metallurgical, electrical power, sewage engineering etc. To cut off the flow.

Features

1、They are rational in construction, uniform in suffering load, nice in sealing property and rigidity. Seal leakage conforms to AWWAC560 standard.

2、Round penstock can be both installed on the wall and connected with pipeflange. The connection sizes are according to GB/T 17241.

Specification

Specification	Φ300~Φ4000、DN300~3000		
The way of bearing pressure	One-way pressure	Two-way pressure	
Water head (m water column)	Front	10	10
	Opposite	2	10
Suitable temperature ℃	≤80℃		
Suitable medium	Water, seawater, sewage		
Driving type	manual, motor		
Seal leakage	1.25 L/min·m		

Standard

Product Standard: ANSI/AWWA C560、CJ/T 3006

Size of flange: GB/T 17241

NOTE: We can design and manufacture different sizes square penstock according to the customer's requirements

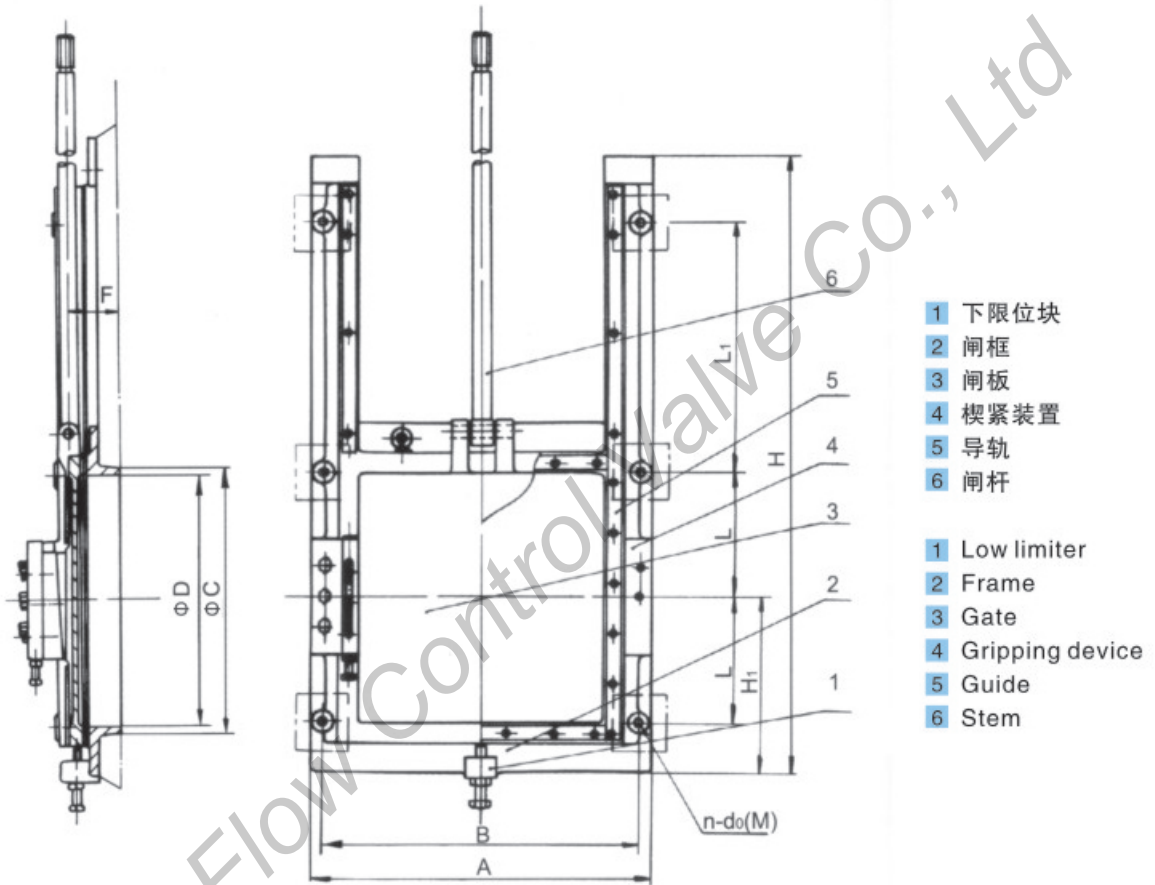
Materias of the main parts

Part Name	Material
Gate frame, disk, guide column, transmission support	Cast iron
Inclined tenon, Sealing	Cast copper
Gate stem	Stainless steel

AFZ 2
5 T-1
9

主要外形尺寸及质量

Main outform dimensions and masses



规格 ϕD (mm)	A	B	ϕC	F	H	H_1	L	L_1	M	$n-d_0$
300 × 300	456	416	324	83	815	228	150	300	M12	6- $\phi 14$
350 × 350	506	466	374	83	915	253	175	350	M12	6- $\phi 14$
400 × 400	556	516	424	83	955	278	200	400	M12	6- $\phi 14$
450 × 450	606	566	474	126	1055	303	225	450	M12	6- $\phi 14$
500 × 500	656	616	524	126	1208	328	250	500	M12	6- $\phi 14$

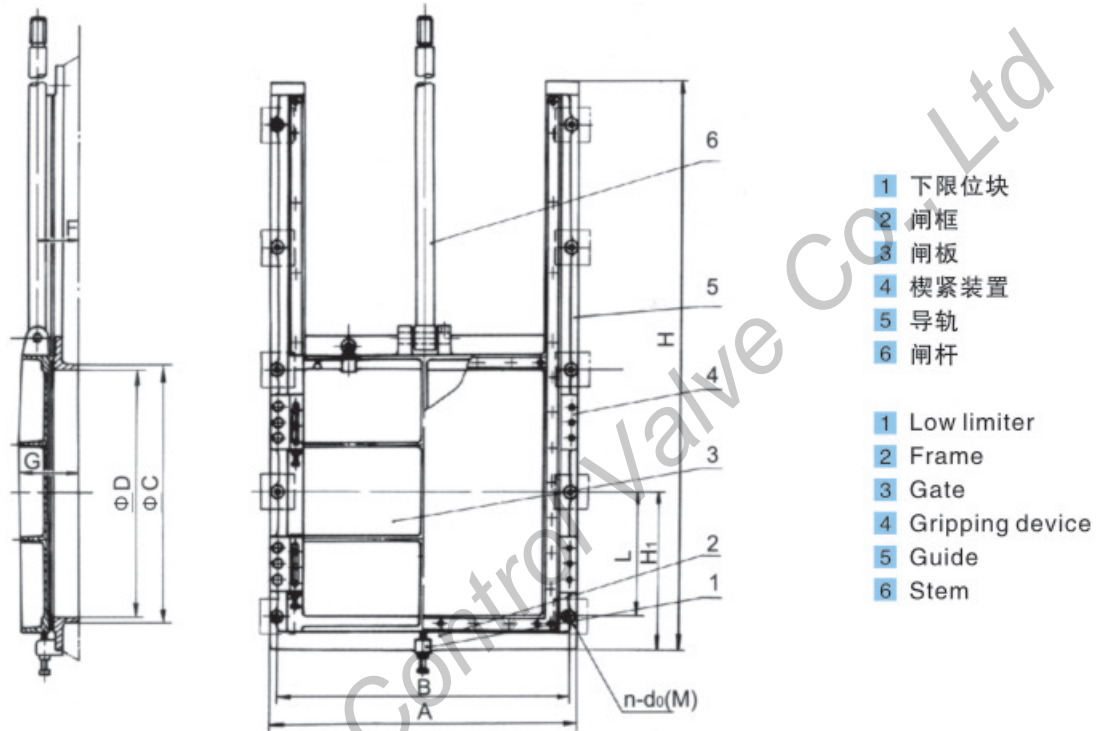
方闸门

Square Penstock

AFZ $\frac{2}{5}$ T-1
9

主要外形尺寸及质量

Main outform dimensions and masses



规格 ϕD (mm)	A	B	ϕC	F	G	H	H_1	L	M	$n-d_0$
550 × 550	740	700	580	140	185	1367	370	275	M16	10- $\phi 19$
600 × 600	790	750	630	140	185	1474	345	300	M16	10- $\phi 19$
650 × 650	840	800	680	140	200	1567	420	325	M16	10- $\phi 19$
700 × 700	890	850	730	140	225	1667	445	350	M16	10- $\phi 19$
750 × 750	940	900	780	140	240	1767	470	375	M16	10- $\phi 19$
800 × 800	1010	960	840	179	245	1819	505	400	M20	10- $\phi 24$
900 × 900	1110	1060	940	179	245	2019	555	450	M20	10- $\phi 24$
1.0 × 1.0	1210	1160	1040	179	253	2217	605	450	M20	10- $\phi 24$
1.1 × 1.1	1310	1260	1140	179	253	2417	655	550	M20	10- $\phi 24$

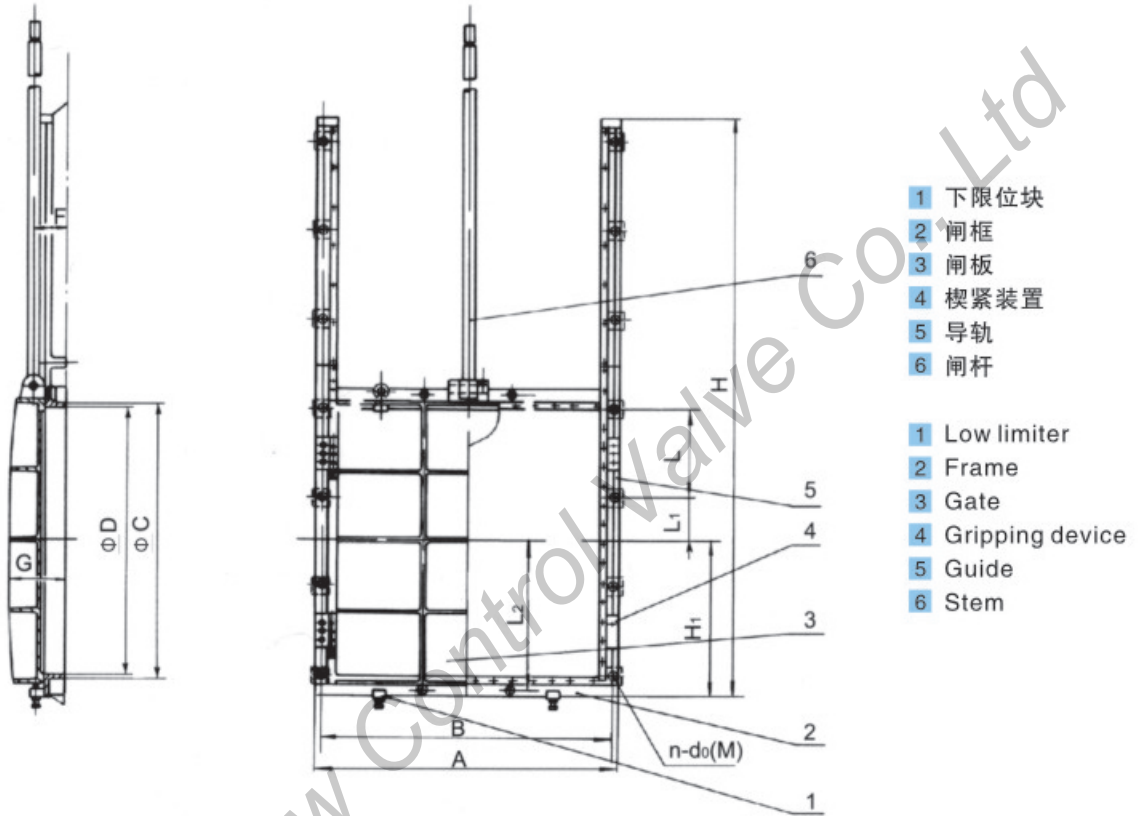
注：规格指宽 × 高，其数值 $\geq 1000\text{mm}$ 时以 m 为单位。

Specification indicates width × height, when the numerical number $\geq 1000\text{mm}$, the unit is m.

AFZ 2
5 T-1
9

主要外形尺寸及质量

Main outform dimensions and masses

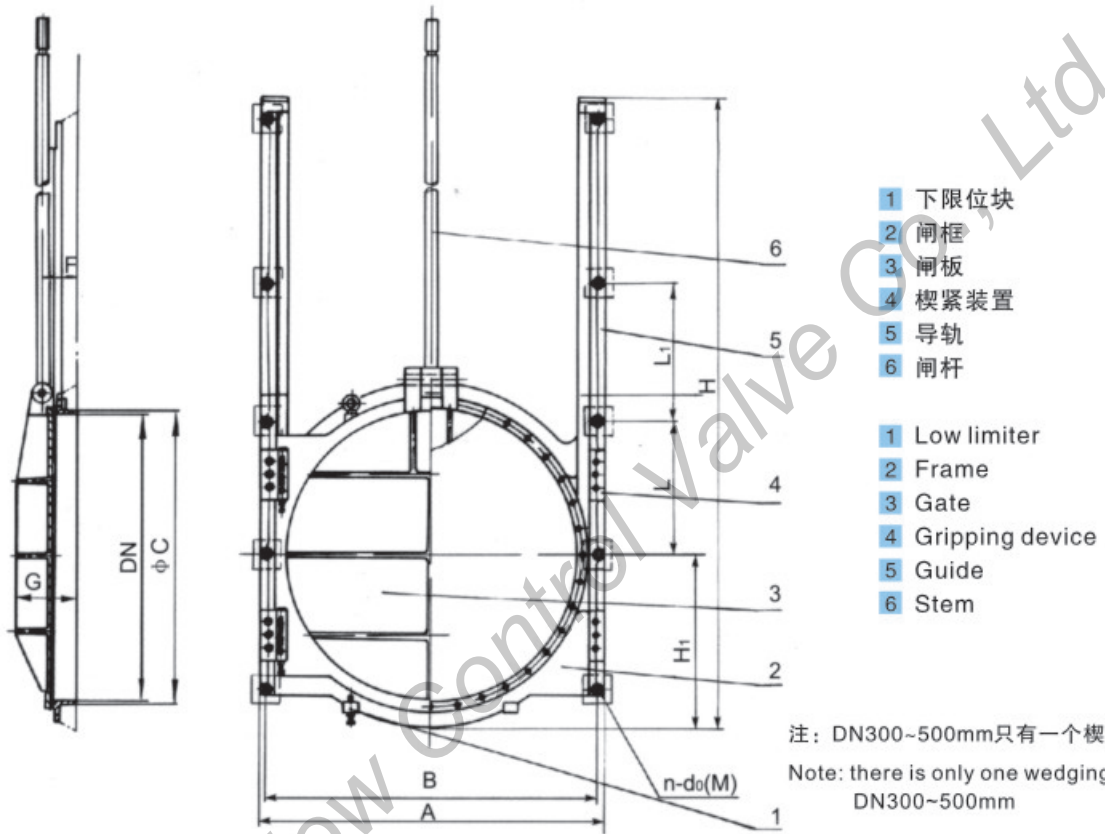


规格 ϕD (mm)	A	B	ϕC	F	G	H	H_1	K	L	L_1	L_2	M	$n-d_0$
1.2 × 1.2	1430	1370	1240	190	274	2590	715	-	400	200	-	M24	14- $\phi 28$
1.3 × 1.3	1530	1470	1340	190	289	2790	765	-	430	215	-	M24	14- $\phi 28$
1.35 × 1.35	1580	1520	1390	190	299	2890	790	-	450	225	-	M24	14- $\phi 28$
1.4 × 1.4	1630	1570	1440	190	304	2990	815	-	470	235	-	M24	14- $\phi 28$
1.5 × 1.5	1750	1680	1540	204	339	3400	875	500	500	250	835	M24	18- $\phi 28$
1.6 × 1.6	1850	1780	1640	204	342	3600	925	530	530	265	885	M24	18- $\phi 28$
1.65 × 1.65	1900	1830	1690	204	347	3700	950	550	550	275	910	M24	18- $\phi 28$
1.7 × 1.7	1950	1880	1740	204	257	3800	975	570	570	285	935	M24	18- $\phi 28$
1.75 × 1.75	2000	1930	1790	204	262	3900	1000	580	580	290	960	M24	18- $\phi 28$
1.8 × 1.8	2050	1980	1840	204	367	4000	1025	600	600	300	985	M24	18- $\phi 28$
1.9 × 1.9	2170	2100	1940	254	407	4235	1085	380	380	190	1040	M24	28- $\phi 28$
2.0 × 2.0	2270	2200	2040	254	407	4280	1135	400	400	200	1090	M24	28- $\phi 28$

AYZ $\frac{2}{5}T-1$
9

主要外形尺寸及质量

Main outform dimensions and masses

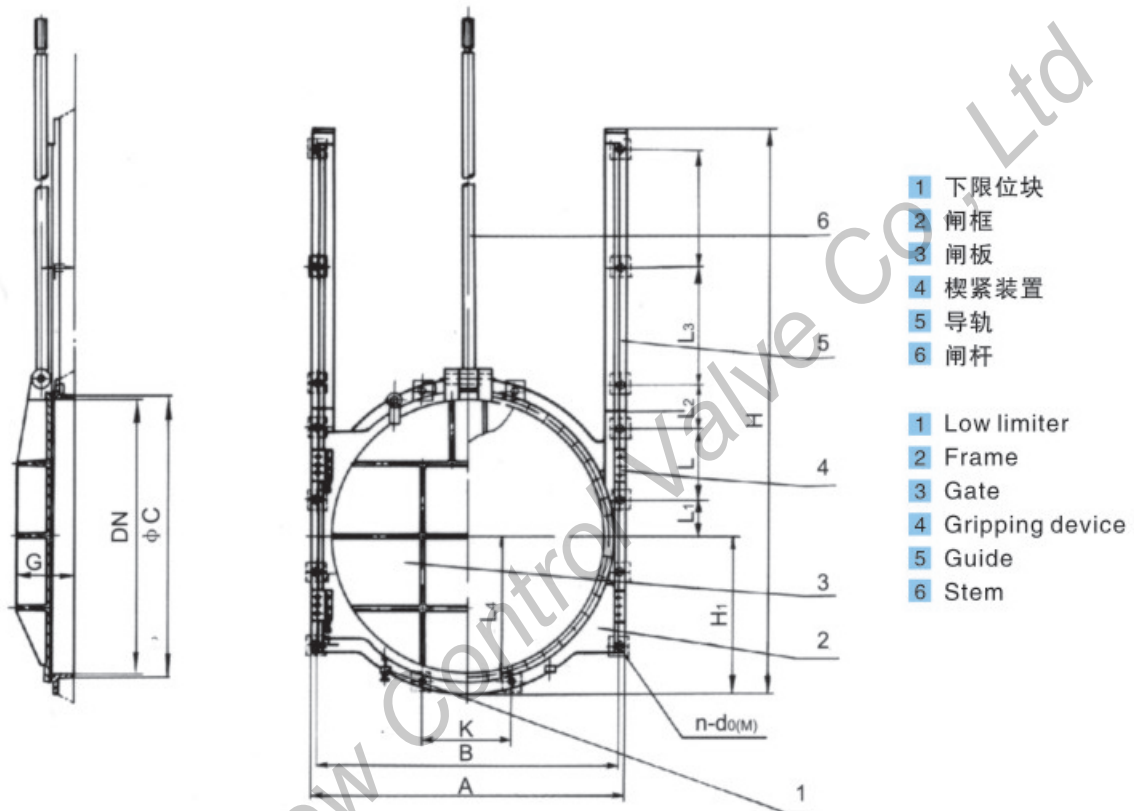


DN (mm)	A	B	φC	F	G	H	H ₁	L	L ₁	M	n-d ₀
300	456	416	324	83	-	733	228	130	280	M12	6-φ14
350	506	466	374	83	-	808	253	150	310	M12	6-φ14
400	556	516	424	83	-	923	278	170	380	M12	6-φ14
450	606	566	474	83	-	998	303	190	410	M12	6-φ14
500	656	616	524	83	-	1111	323	210	440	M12	6-φ14
600	790	750	630	123	165	1385	395	250	315	M16	10-φ19
700	890	850	730	123	180	1555	445	300	350	M16	10-φ19
800	1010	960	840	163	225	1690	490	350	400	M20	10-φ24
900	1110	1060	940	163	245	1985	555	400	440	M20	10-φ24
1000	1210	1160	1040	172	241	2105	605	450	475	M20	10-φ24
1100	1310	1260	1140	183	253	2335	655	500	515	M20	10-φ24

AYZ 2/5 T-1 9

主要外形尺寸及质量

Main outform dimensions and masses



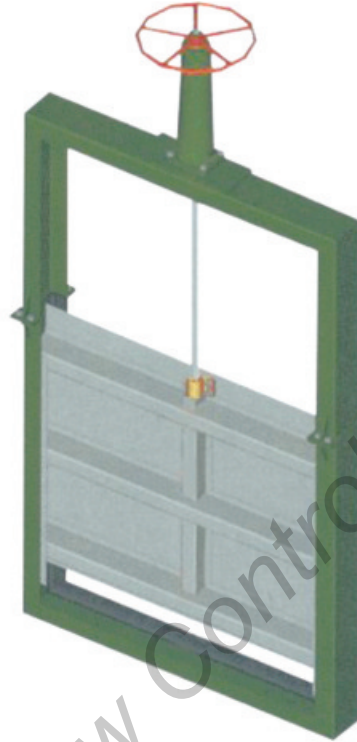
DN (mm)	A	B	ϕC	F	G	H	H ₁	K	L	L ₁	L ₂	L ₃	L ₄	M	n-d ₀
1200	1430	1370	1240	174	274	2602	715	-	340	170	265	500	-	M24	14- $\phi 28$
1300	1530	1470	1340	174	289	2845	765	-	350	175	275	550	-	M24	14- $\phi 28$
1350	1580	1520	1390	174	299	2920	790	-	350	175	325	550	-	M24	14- $\phi 28$
1400	1630	1570	1450	174	304	2942	815	-	380	190	255	600	-	M24	14- $\phi 28$
1500	1750	1680	1540	204	339	3235	875	500	400	200	250	650	795	M24	18- $\phi 28$
1600	1850	1780	1640	204	342	3410	925	530	440	220	215	700	845	M24	18- $\phi 28$
1650	1900	1830	1690	204	347	3485	920	550	440	220	265	700	865	M24	18- $\phi 28$
1700	1950	1880	1740	204	357	3585	975	570	450	225	225	750	890	M24	18- $\phi 28$
1800	2050	1980	1840	204	367	3755	1025	600	480	240	205	800	940	M24	18- $\phi 28$
1900	2170	1940	1940	244	407	4020	1085	380	300	150	250	425	970	M24	28- $\phi 28$
2000	2270	2040	2040	244	407	4220	1135	400	310	155	275	450	1015	M24	28- $\phi 28$

渠道闸

Channel Penstock

型号示例: F(a)Z9X-0.12C

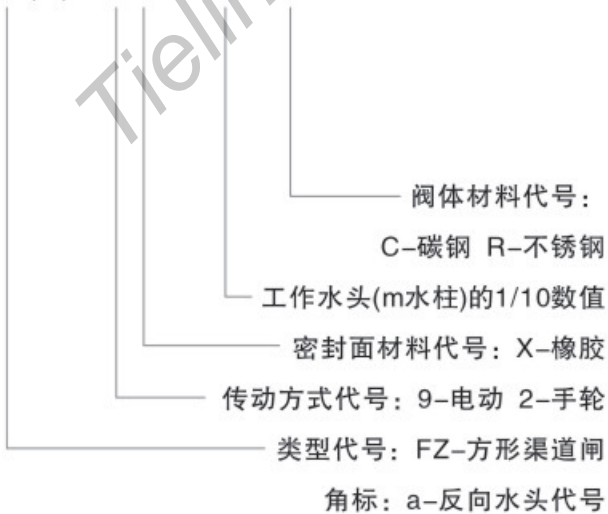
TYPE EXPLAIN BY EXAMPLES



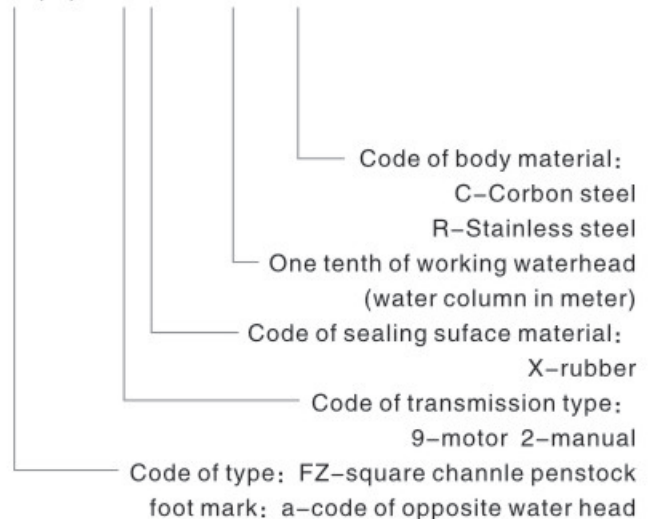
F(a)Z₉²X^{0.05}/_{0.4}C

F(a)Z₉²X^{0.05}/_{0.4}R

F(a)Z9X-0.12C



F(a)Z9X-0.12C





用途

此类闸门适用于城市给排水、石化、冶金、电力、水利等行业水处理工程上，起切断水流作用。

特点

结构合理，受力均匀，刚度及密封性能好。操作简单、可靠。

性能规范

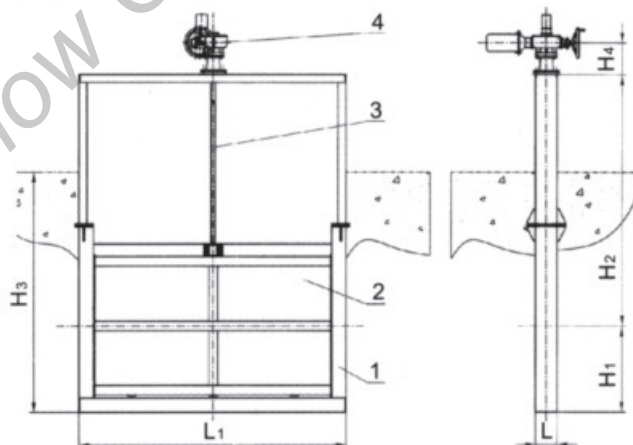
规格 (mm)	≤3.0×3.0
工作水头 (m 水柱)	≤ 闸板高度
适用温度℃	≤80℃
适用介质	水、污水

主要零件材料

零件名称	材 料
闸板、闸框、闸杆	碳钢、不锈钢
密封圈	橡 胶

FZ 2 X-0.05
9 0.4 C

主要外形尺寸及质量 Main outform dimensions and masses



- 1 闸框
 - 2 闸板
 - 3 闸杆
 - 4 驱动装置
- 1 Frame
 - 2 Gate
 - 3 Stem
 - 4 Actuator

规格A×B	L	L ₁	H ₁	H ₂	H ₃	H ₄	H ₀	质量mass(Kg)
0.8×1.0	209	1026	613	1887	由用户确定	400	300	391
0.8×1.2	209	1026	713	2087		400	300	435
0.9×0.1	209	1126	613	1887		400	300	420
1.2×1.2	209	1400	713	2087		400	300	439
1.5×1.2	220	1700	713	2087		400	300	520
1.5×1.5	220	1700	850	2340		400	300	696

Application

These penstocks are suitable to be used in the water treat. Ment engineering of various industrics and enterpriscs such as supply and drainage works, metallurgical, electrical power, sewage engineering etc. To cut off the flow.

Features

Rational in construction, uniform in suffering load, good in sealing property and rigidity. Operation is easy and reliable.

Specification

Specification (m)	≤3.0×3.0
Working water head (m water column)	≤Height size of the disk
Suitable temperature ℃	≤80℃
Suitable medium	Water、sewage

Materias of the main parts

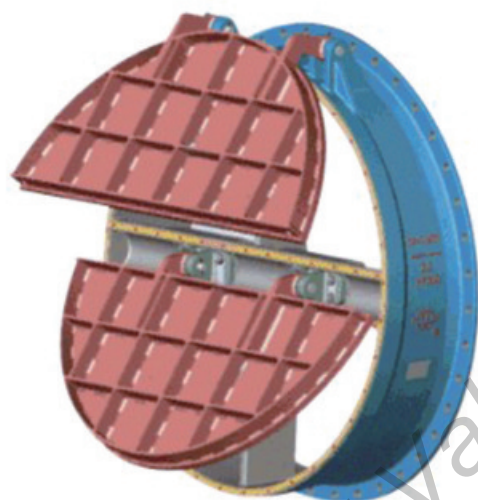
Part Name	Material
Frame、gate、stem	Corbon steel、stainless steel
Stem screw pin	Rubber

拍门、可调堰、插板阀

Flap Valve, Adjustable Weir, Plate Inserting Valve

型号示例：H49T-2.5、TY9T-0.15、C₁-1

TYPE EXPLAIN BY EXAMPLES



拍门
Flap Valve

H49T-2.5

H49T-2.5

公称压力(MPa)的10倍数
密封面材料代号：T-铜合金
结构形式代号：9-拍板
连接形式代号：4-法兰连接
类型代号：H-拍门（止回阀）

H49T-2.5

Ten times of nominal pressure (MPa)
Code of sealing material: T-copper alloy
Code of construction type: 9-back disk
Code of connection type:
4-flanged connection
Code of type: H-back water gate check valve

TY9T-0.15

工作水头 (m) 水柱的1/10数值
密封面材料代号：T-铜合金
传动方式代号：9-电动
类型代号：TY-可调堰

TY9T-0.15

One-tenth of working water head
(water column in meter)
Code of sealing material: T-copper alloy
Code of transmission method:
9-electric drive
Code of type: TY-adjustable weir

C₁-1

工作水头 (m) 水柱的1/10数值
类型代号：C-插板阀
角标：1-中间不带工字槽
2-中间带工字槽

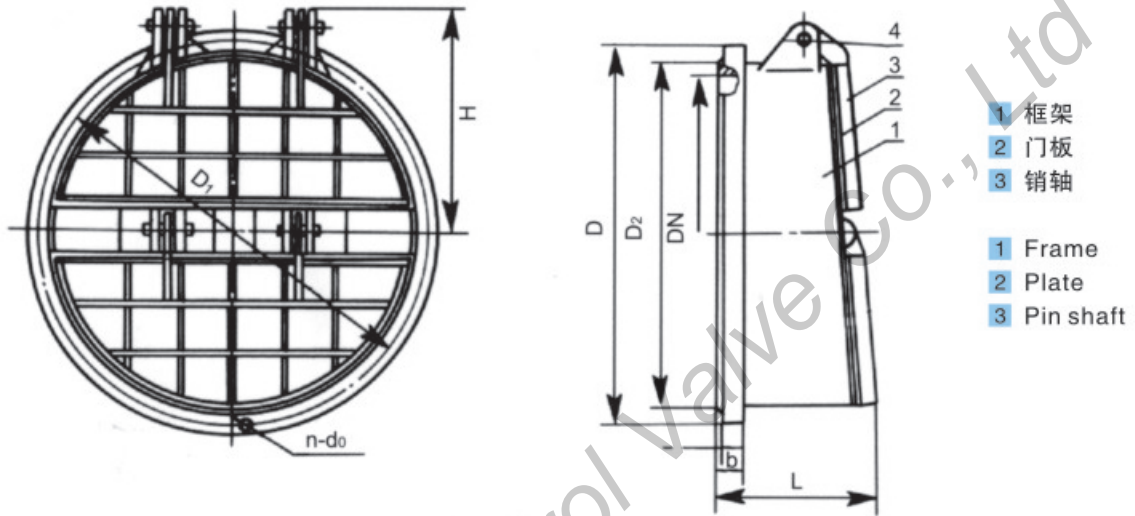
C₁-1

One-tenth of working water head
(water column in meter)
Code of type: C-plate inserting valve
foot mark : 1-工 type slot in the middle
2-not 工 type slot in the middle

H49T-2.5

主要外形尺寸及质量

Main outform dimensions and masses



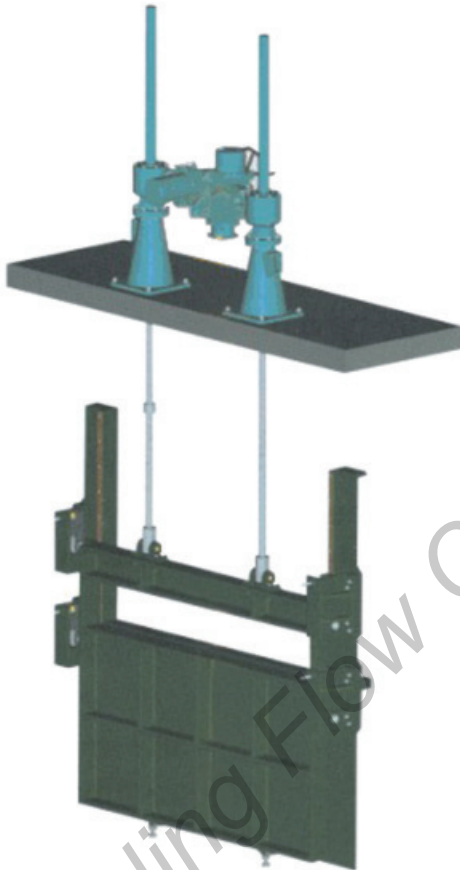
DN (mm)	L	D	D ₁	D ₂	b	H	n-d ₀	质量 mass (Kg)
350	200	490	445	415	20	235	12-φ22	157
400	214	540	495	465	25	260	16-φ22	198
450	214	595	550	520	25	285	16-φ22	246
500	280	645	600	570	25	310	20-φ22	312
600	330	755	705	670	28	360	20-φ26	375
700	420	860	810	775	28	410	24-φ26	423
800	420	975	920	880	28	460	24-φ30	520
900	420	1075	1020	980	28	510	24-φ30	615
1000	420	1175	1120	1080	30	560	28-φ30	835
1200	450	1405	1340	1295	30	700	32-φ33	1028
1400	550	1630	1560	1510	30	790	36-φ36	1260
1500	550	1730	1660	1610	30	840	36-φ36	1635
1600	693	1830	1760	1710	32	900	40-φ36	2248
1800	693	2045	1970	1920	34	1000	44-φ39	2850
2000	737	2265	2180	2125	36	1110	48-φ42	3152

可调堰、插板阀

Adjustable Weir、Plate Inserting Valve

可调堰 Adjustable Weir

TY9T-0.15



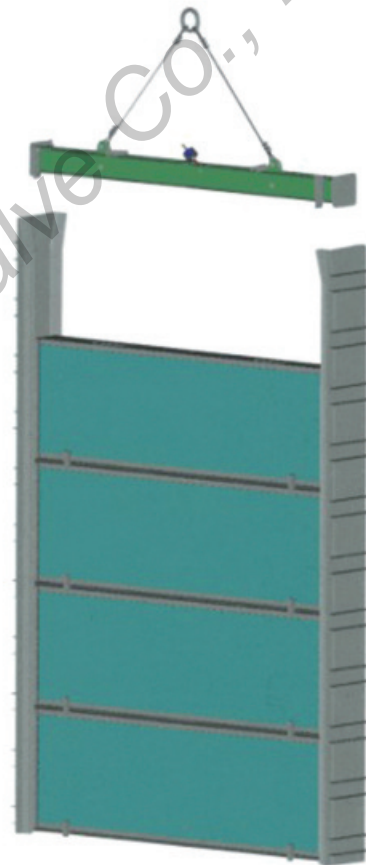
用途及特点

1、H49T型拍门（止回阀）用于工业管路出口处，作为止回介质用。通过管路介质压力，使门板打开，靠门板自重实现密封，防止介质逆流。

2、TY9T型可调堰适用于排灌、城市给排水等行业的工程上，调节水流量和水位，操作方便、可靠。

插板阀 Plate Inserting Valve

C₁、C₂



Application and features

1、H49T type back water gate(check valve) applies to the exit of industry pipe system for the use of preventing contrary flow. This back water gate through the medium pressure opens the gate, and through itself weight carries out sealing to stop temedium contrary flow.

2、TY9T type adjustable weir applies to engineering of agriculture irrigation, city water supply and drainage ect. to regulate flowrate and water level, and it is operation is easy and reliable.



3、C1、C2型插板阀广泛适用于水厂、污水处理，电厂等行业。安装在大型水渠（池）中，同起吊架一起作闭路设备用。需要截流时，起重设备通过起吊架将插板逐块吊入框架槽中。插板到位后，起吊架吊钩自动脱离插板，插板在介质压力作用下自动复位密封。需要通流时，起重设备通过起吊架将插板逐块吊出即可。

C1、C2 type plate inserting valve are widely used in water factory, sewage treatment plant, power plant and other industries. This valve installs in large water channel(pond), along with hanger used as closing device, when require to break (stop) flow, lifting device through its hanger place the plates one by one into frame groove, when the plates reach specified position, the lift hook breaks automatically away from the plates. The plates with medium pressure reach the position and carry out sealing. When require to pass flow, lifting device through its hanger lifts plates out one by one.

性能规范

型 号	H49T-2.5	TY9T-0.15	C ₁ 、C ₂
工作水头（m水柱）	2.5	1.5	2-10
适用温度℃	≤80℃		
适用介质	水、污水		

Specification

Type	H49T-2.5	TY9T-0.15	C ₁ 、C ₂
Working water head (m water column)	2.5	1.5	2-10
Suitable temperature ℃	≤80℃		
Suitable medium	Water, sewage		

执行标准

产品标准：CJ/T 3029、Q/TF-B27M
法兰尺寸：GB/T 17241
压力试验：GD/T 13927

Standard

Product Standard: CJ/T 3029、Q/TF-B27M
Size of flange: GB/T 17241
Pressure test: GB/T 13927

主要零件材料

拍门零件名称	材 料
阀 体	铸 铁
门 板	碳 钢
密封圈	铜合金

Materias of the main parts

Part Name	Material
Body	Cast iron
Disk	Carbon steel
Sealing ring	Copper alloy

可调堰零件名称	材 料
堰框体、堰板、左右堰框、传动支座、堰门座	铸铁
堰杆、螺钉、导轨	不锈钢
防尘罩、盖板、底板	碳 钢

Part Name	Material
Frame body, weir gate, left and right frame, actuator support, weir gate support	Cast iron
stem, screw, guide track	Stainless steel
Dust cap, cover plate, foundation plate	Carbon steel

插板阀零件名称	材 料
U型框架、I字槽	不锈钢
插板、吊架	碳 钢
密封条	橡 胶

Part Name	Material
U frame, "I" type slot	Strainless steel
Plate, hanger	Carbon steel
Sealing strip	NBR

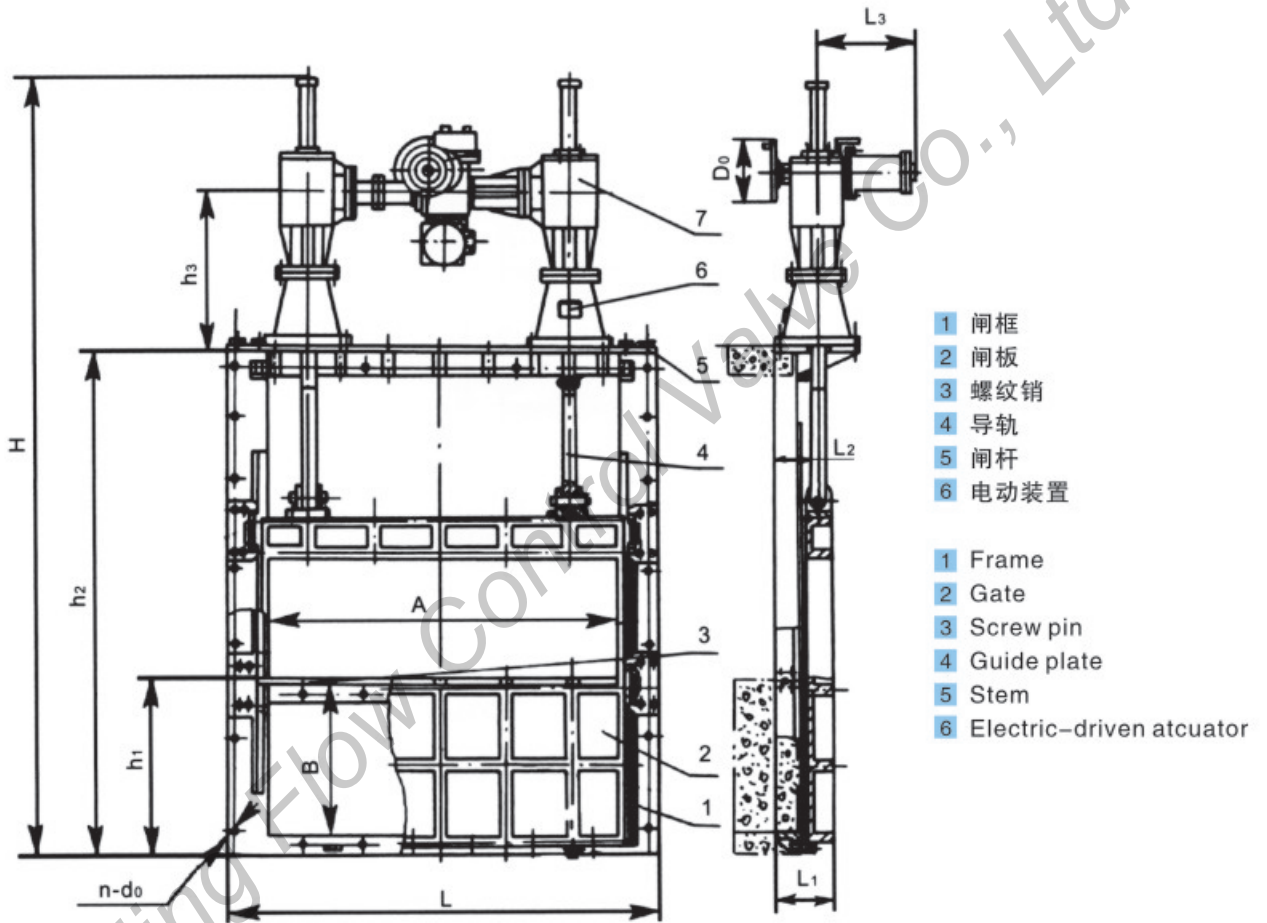
可调堰

Adjustable Weir

TY9T-0.15

主要外形尺寸及质量

Main outform dimensions and masses



规格 A×B	L	L ₃	L ₂	L ₁	H	h ₁	h ₂	h ₃	Do	n-do	质量 mass(kg)
2.5×1.0	2980	753	270	138	5400	1150	3350	1000	400	28-φ27	4887
3.5×1.0	4080	814	320	138	5476	1150	3350	1000	400	32-φ27	9475

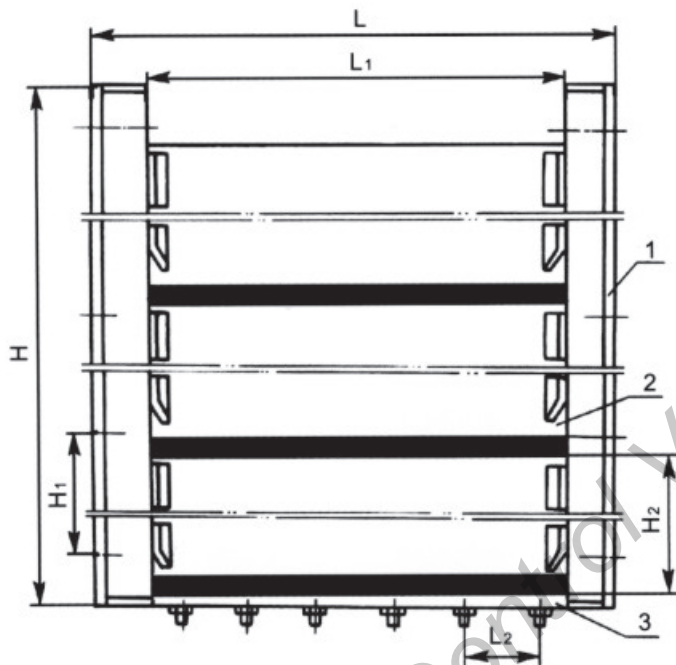
注：规格指宽×高，其数值≥1000mm时以m为单位。

Specification indicates width × height, when the numerical number ≥ 1000mm, the unit is m.

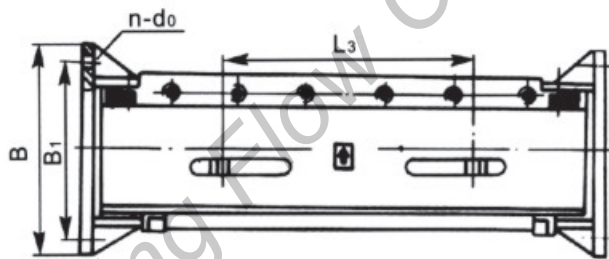
C₁

主要外形尺寸及质量

Main outform dimensions and masses



- 1 框架
 - 2 插板
 - 3 底板
- 1 Frame
 - 2 Plate
 - 3 Bottom plate



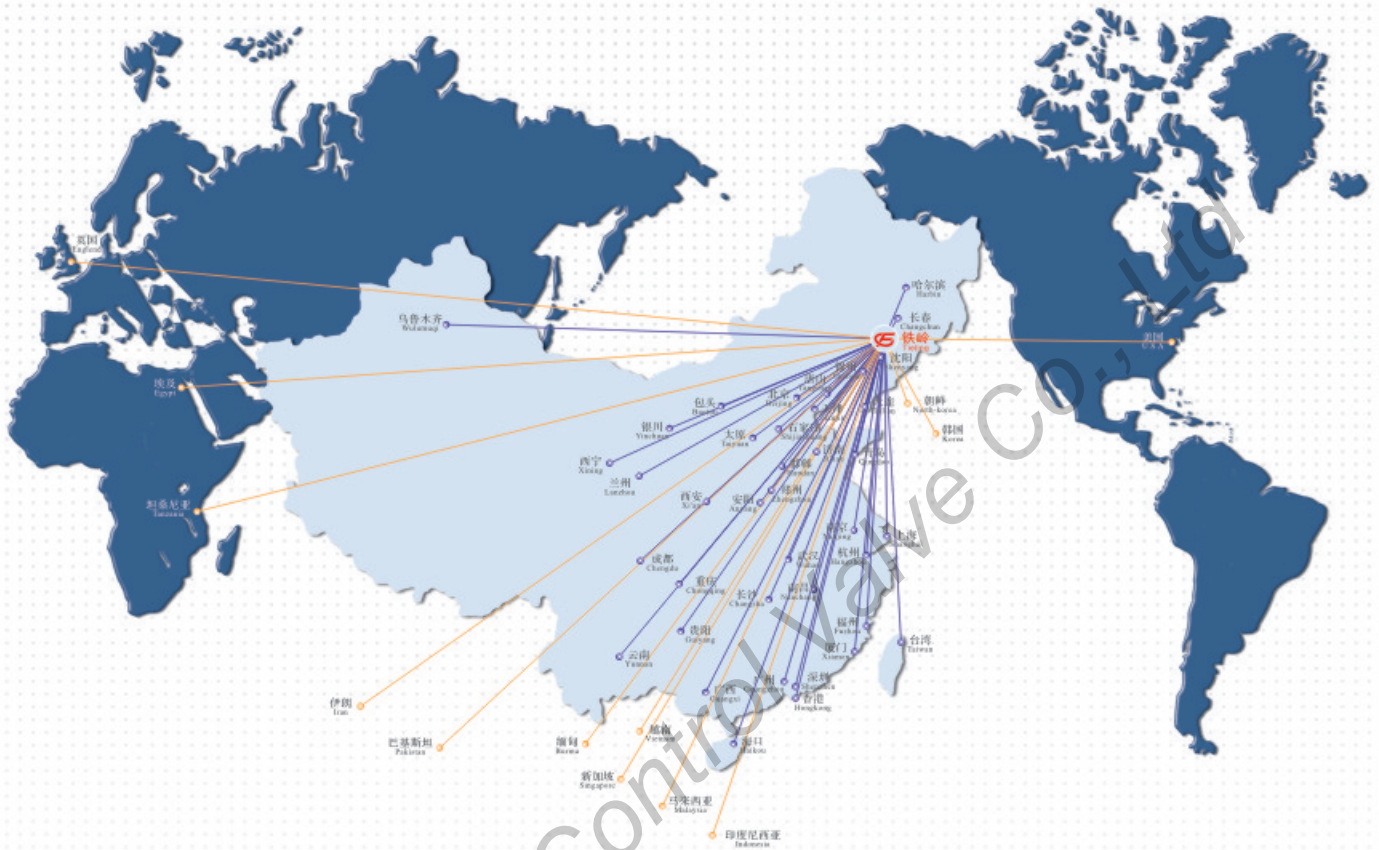
注：C₂型中间带工字槽其余结构形式同C₁型。

Note: C₂ type with H groove in the middle, the rest of the structure is the same as C₁.

规格 A×B	L	L ₁	L ₂	L ₃	H	H ₁	H ₂	B	B ₁	n-d ₀	质量 mass(kg)
1.5×3.7	1712	1500	500	700	3696	1000	1200	380	333	8-Φ22	1609
1.5×5.0	1712	1500	500	700	5496	1000	1200	380	333	12-Φ22	2211
2.2×6.0	2412	2200	500	1200	6796	1000	1200	380	333	12-Φ22	3311
4.0×3.0	4260	4000	480	2300	3496	1000	1200	450	400	12-Φ22	3841
4.0×5.0	4260	4000	480	2300	5496	1000	1200	450	400	12-Φ22	5240

销售网络

SALES NETWORK



国内主要销售网络

北京、上海、天津、重庆、广州、香港、深圳、厦门、南宁、贵阳、长沙、南昌、武汉、成都、南京、杭州、郑州、济南、合肥、石家庄、太原、兰州、西安、西宁、银川、乌鲁木齐、包头、沈阳、哈尔滨、长春、海口、大连、青岛、苏州、锦州、唐山。

Domestic Sales Network

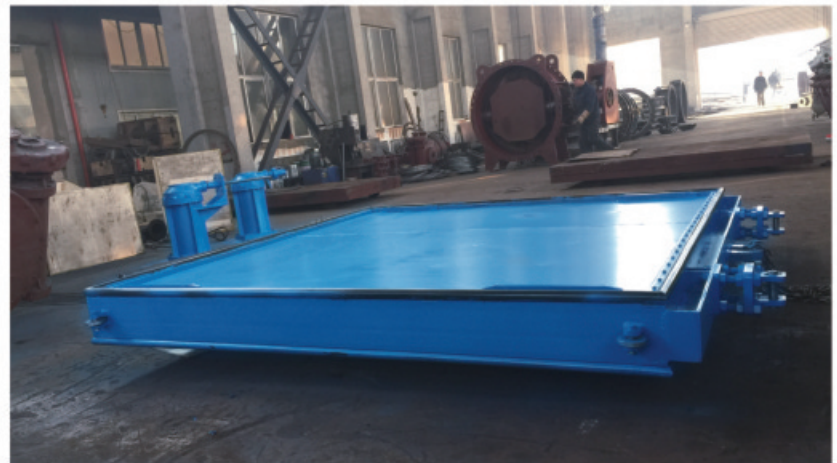
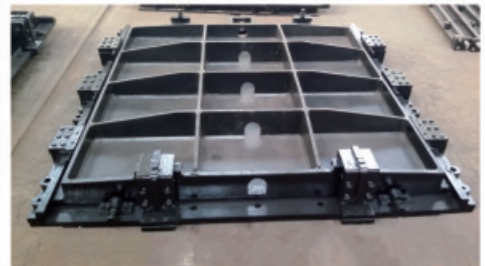
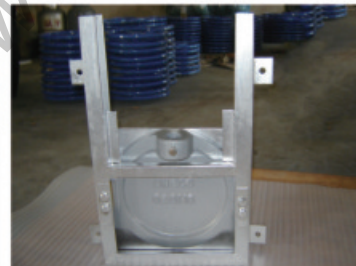
Beijing, Shanghai, Tianjin, Chongqing, Guangzhou, Hongkong, Shenzhen, Xiamen, Nanning, Guiyang, Kunming, Changsha, Nanchang, Wuhan, Chengdu, Nanjing, Hangzhou, Zhengzhou, Ji'nan, Hefei, Shijiazhuang, Taiyuan, Lanzhou, Xi'an, Xi'ning, Yinchuan, Wulumuqi, Baotou, Shenyang, Harbin, Changchun, Haikou, Dalian, Qingdao, Suzhou, Tangshan

国外主要销售网络

美国、日本、英国、德国、法国、泰国、巴基斯坦、伊朗、孟加拉、马来西亚、越南、朝鲜、阿尔巴尼亚、古巴、津巴布韦、坦尼亚、缅甸、伊拉克、叙利亚、印度尼西亚、瑞士、韩国、罗马尼亚、埃及、新加坡。

Overseas Sales Network

U.S.A, Japan, England, Germany, France, Thailand, Pakistan, Iran, Bangladesh, Malaysia, Vietnam, Albania, Cuba, Zimbabwe, Tanzania, Burma, Iraq, Syria, Indonesia, Switzerland, Korea, Romania, Egypt, Singapore



真诚打造信誉 · 追求更高品位
Create Sincere Credit, Go In For Higher Level



铁岭辅坤阀门有限公司

地 址：辽宁省铁岭市铁岭经济开发区

网 址：www.fcval.com

电 话：+8618004108878

+8613804106884

销售热线：+86-024-72821717

技术支持：+86-024-72801717

邮 箱：tlfm@fcval.com

邮 编：112000